

# OUR QUALITY PRODUCTS NOW TOUCHING NEW HORIZONS WORLDWIDE...

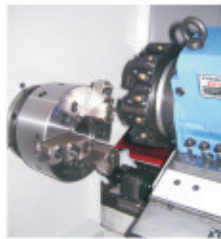
## 'Abhijat' Deepak-200 CNC Chucker

Abhijat make CNC Lathe is a technological revolution in CNC Machine tool industry. The basic Machine is having rigid headstock Mounted on Fabricated Stress relieved Machine base. Machine Spindle is Mounted in precision P4 Class imported bearings for higher Accuracy. Main Spindle Uses 8" Chuck operated by hydraulic cylinder to clamp bar or blank. X & Z axis with linear guideways are operated by C3 Class Precision ball Screws. The 8 Station turret is used for more Comfort & Operated electromechanically.

### Basic machine consist of

- LM Slide for X & Z axis
- 8" Chuck
- Centralise lubrication System
- Telescopic Covers for X & Z axis
- Machine Lamp
- Instruction Manual
- Tool kit
- 8 Station Turret

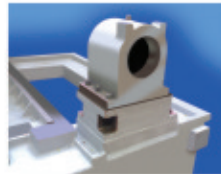
Chuck



### CNC System (Controller type)

- Siemens 802 DSL Solution line
- Number of Axis-2
- Manual data input
- Part Program Storage & Editing
- Constant Surface Speed Control
- Multiple repetitive cycles
- Thread Cutting Cycles
- Circular inter polation
- Rs 232 interface, Ethernet
- Backlash Compensation
- Graphic Display

Head Stock



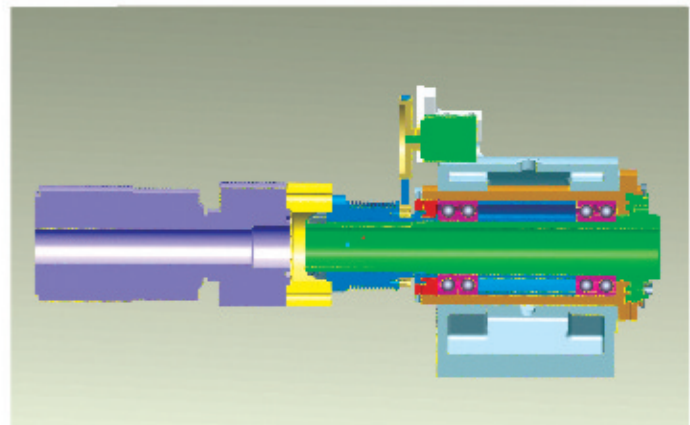
### Optional Machine Features

- Manual Pulse Generator
- 3 Phase Voltage Stabilizer
- Air Conditioning Unit for electrical Cabinet
- Chip Conveyor

## Machine Specifications

Title	Description	Units	Deepak-200
Capacity	Swing over Carriage	mm	425
	Standard Chuck Size	mm	200
	Max. turning dia	mm	300
	Max. turning length	mm	400
	Bar Capacity	mm	40
Spindle	Spindle Nose	type	A2-5
	Hole through Spindle	mm	52
	Spindle Speed range	rpm	50 - 4000
	Spindle Motor Power	KW	7 / 9.25 (30 Min.)
	Front brg bore	mm	70
Feed	Cross travel - X axis	mm	170
	longitudinal travel - Z axis	mm	400
	Rapid traverse rate - X axis	Mtr/min	15
	Rapid traverse rate - Z axis	Mtr/min	25
	Rated torque X	mm	6 with brake
	Rated torque Z	mm	11 without brake
Turret	No. of Stations	Nos	8
	Tool Shank size	mm	20 x 20
	Max. boring bar dia	mm	32
	Turret type	type	Electromagnetic (bidirectional)
CNC System	Controller	type	Siemens 802 DSL Solution line / Fanuc
Machine Size	L X W X H	mm	2550 x 2000 x 1600
	Wt. Kg	Kg	Approx 2000 Kg

Spindle Assembly



Note: We reserve the right to modify specifications in accordance with improved designs. Although every effort will be made to maintain accuracy in the data given, the figures must be taken as approximate and in no way binding.



**ABHIJAT**  
EQUIPMENTS PVT. LTD.

#### REGD. OFFICE & WORKS

19/4, MOLACHA ODHA, SATARA - 415 002. MAHARASHTRA, (INDIA)

TEL.: +91-2162-251091, 250196 FAX: +91-2162-250596.

Marketing : 9860129600

E-mail: aepim@sancharnet.in / sales@abhijatequipments.com

Visit us : www.abhijatequipments.com

Authorised Dealer :



Sambosh\_9011081177

*"We don't only sell machines, we also build relationship..."*